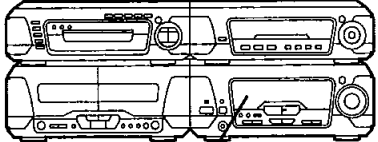
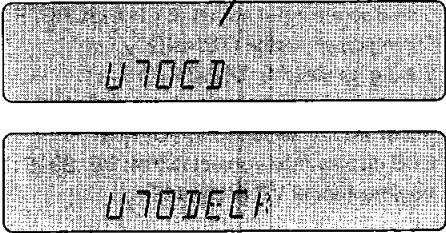
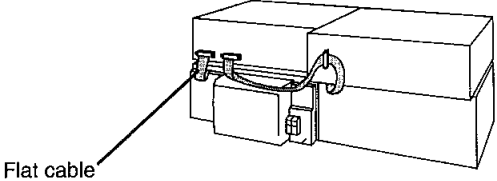
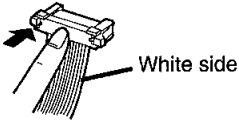


Self-Diagnostic Mode

This unit is equipped with a self-diagnostic function which, in the event of a malfunction, automatically displays a code indicating the nature of the malfunction. Use this self-diagnostic function when servicing the unit.

Display method	Display location
<p>To display the malfunction code</p> <p>U70 CD: U70 DECK: Automatically displays on the tuner/amplifier when a malfunction occurs.</p> <p>F61 Automatically displays on the tuner/amplifier when a malfunction occurs.</p> <p>To return to the normal display</p> <p>1. For U70 CD/U70 DECK:</p> <ul style="list-style-type: none"> ● Press any operation button on the tuner/amplifier. ● To re-display the code, switch the power off (POWER STANDBY button), and then switch power back on again. <p>2. For F61:</p> <ul style="list-style-type: none"> ● If "F61" is displayed, the power will automatically be switched off and the standby indicator will light up. ● "F61" will be displayed for 3 seconds, and then the clock will be displayed. ● To re-display the code, switch the power on. "F61" will be re-displayed, and then after 3 seconds the clock will be displayed and the power will automatically switch off. 	<p>CD Changer (SL-EH750) Sound processor (SH-EH750)</p>  <p>Cassette deck (RS-EH750) Tuner/Amplifier (SA-EH750)</p> 

Display contents

Display code	Problem or condition	Correction procedure
<p>U70 CD U70 DECK (displayed automatically)</p>	<p>A bus-line communications error has occurred as a result of the flat cables being inserted incorrectly, thus preventing the system from operating.</p> <p>1. If "U70" is displayed on the tuner/amplifier, the tape deck or CD Changer cannot be operated by remote control.</p>	 <p>Flat cable</p> <ol style="list-style-type: none"> To check for correct insertion of the flat cables. <ol style="list-style-type: none"> Insert each connector until you hear a click. Insert the flat cables at the back of the unit in the order indicated. Make sure the white side of the cable is on your right side. Breakage of flat cable. (Check and replace as necessary.) If the problem is not corrected by items (1.) and (2.) above, this indicates a faulty IC. <p>SA-EH750: IC901 (LC8A524A5K01)</p> <p>SL-EH750: IC451 (M38504M6200F)</p> <p>RS-EH750: IC701 (M38503M2400F)</p> <p>Check these IC's and replace as necessary.</p>  <p>White side</p>
<p>F61</p>	<p>When the power switch is switched on, it automatically switches back off, making it impossible to switch power on.</p>	<ul style="list-style-type: none"> ● Faulty Tuner/Amplifier (SA-EH750) output IC (IC601). (When a DC voltage is applied to the speaker terminals.)

■ Schematic Diagram

	Page		Page
A TUNER CIRCUIT	31, 32	E SPEAKER TERMINAL CIRCUIT	39
B OPERATION CIRCUIT	33 – 35	F POWER TRANSFORMER (A) CIRCUIT	39
C MAIN CIRCUIT	36 – 39	G POWER TRANSFORMER (B) CIRCUIT	39
D POWER SUPPLY CIRCUIT	38		

● This schematic diagram may be modified at any time with the development of new technology.

Notes:

- **S901** : Power "Standby/on" switch (⏻ / I)
- **S902** : ECO mode switch (ECO)
- **S903** : Clock timer,demo switch (CLOCK/TIMER, ● DEMO)
- **S904** : Play timer/Record timer switch (ⓄPLAY/ⓄREC)
- **S905** : FM mode select switch (FM AUTO/MONO)
- **S906** : Tuning mode select switch (TUNING MODE)
- **S907** : Set switch (SET)
- **S908** : Source input select switch (INPUT SELECTOR)
- **S909** : 6 ch discrete input switch (6 CH DISCRETE INPUT)
- **S910** : Tuning down switch (TUNING ∨)
- **S911** : Tuning up switch (TUNING ∧)
- **S912** : Tuner/band select switch (TUNER/BAND)
- **S913** : Super woofer switch (S.WOOFER)
- **S914,915** : RDS display mode select (S914: PS, S915 : PTY) switch (RDS DISP MODE)
- **VR901** : Volume control VR (VOLUME)

● Indicated voltage values are the standard values for the unit measured by the DC electronic circuit tester (high-impedance) with the chassis taken as standard. Therefore, there may exist some errors in the voltage values, depending on the internal impedance of the DC circuit tester.

No mark: FM () : AM

● Important safety notice:

Components identified by ⚠ mark have special characteristics important for safety.

Furthermore, special parts which have purposes of fire-retardant (resistors), high-quality sound (capacitors), low-noise (resistors), etc. are used. When replacing any of components, be sure to use only manufacturer's specified parts shown in the parts list.

● Caution!

IC and LSI are sensitive to static electricity.

Secondary trouble can be prevented by taking care during repair.





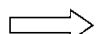



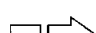
Cover the parts boxes made of plastics with aluminum foil.

Ground the soldering iron.

Put a conductive mat on the work table.

Do not touch the legs of IC or LSI with the fingers directly.

● Voltage and signal line

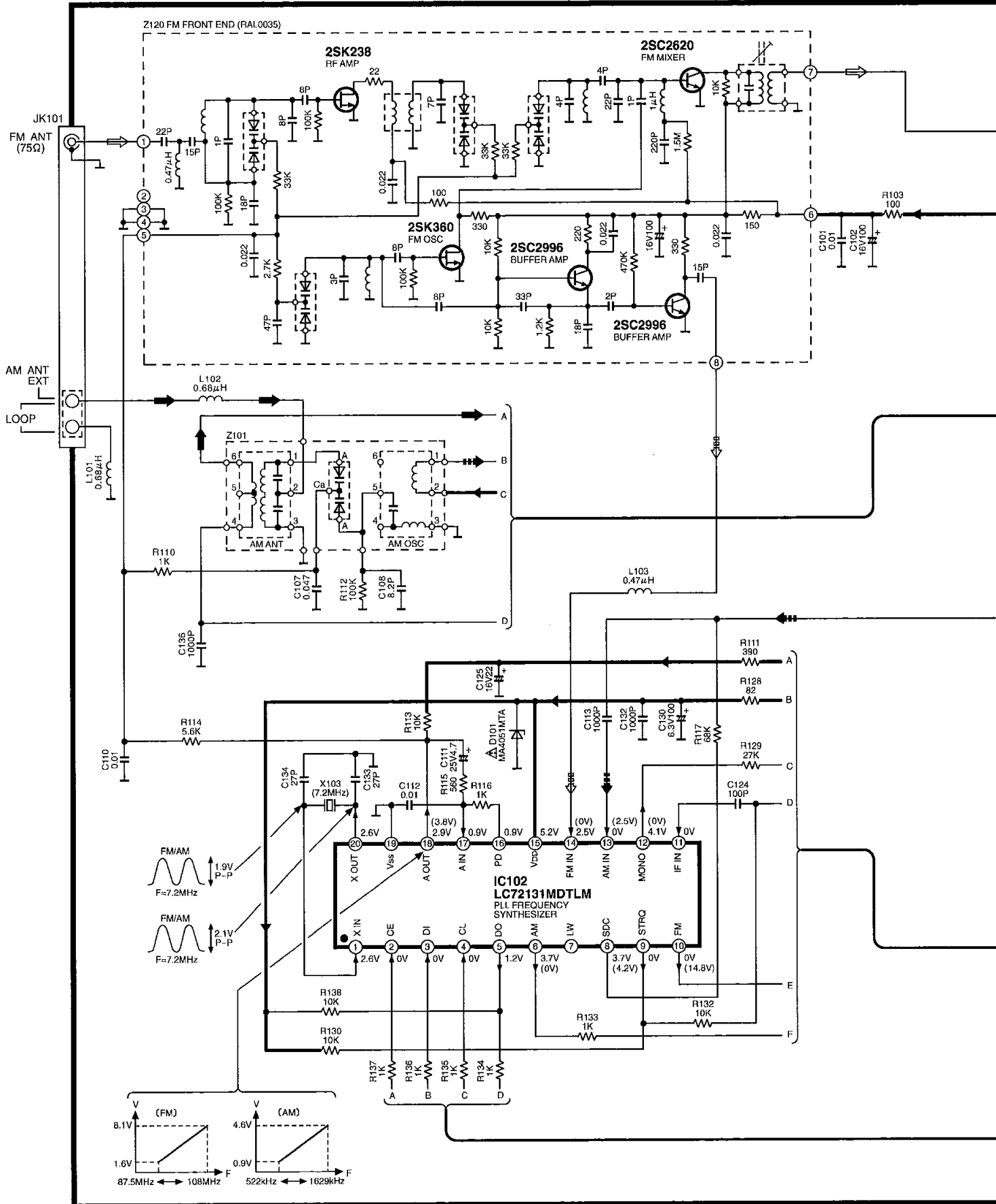
	: Positive voltage line		: Negative voltage line
	: AM signal line		: AM OSC signal line
	: FM signal line		: FM OSC signal line
	: Center Sp.drive signal line		: Surround Sp.drive signal line
	: Source signal line		

SCHEMATIC DIAGRAM-1

Note: The number which noted at the connectors on the schematic diagram as "SCHEMATIC DIAGRAM-1" or "SCHEMATIC DIAGRAM-2" indicates the schematic diagram serial number located on the left corner in the schematic diagram.

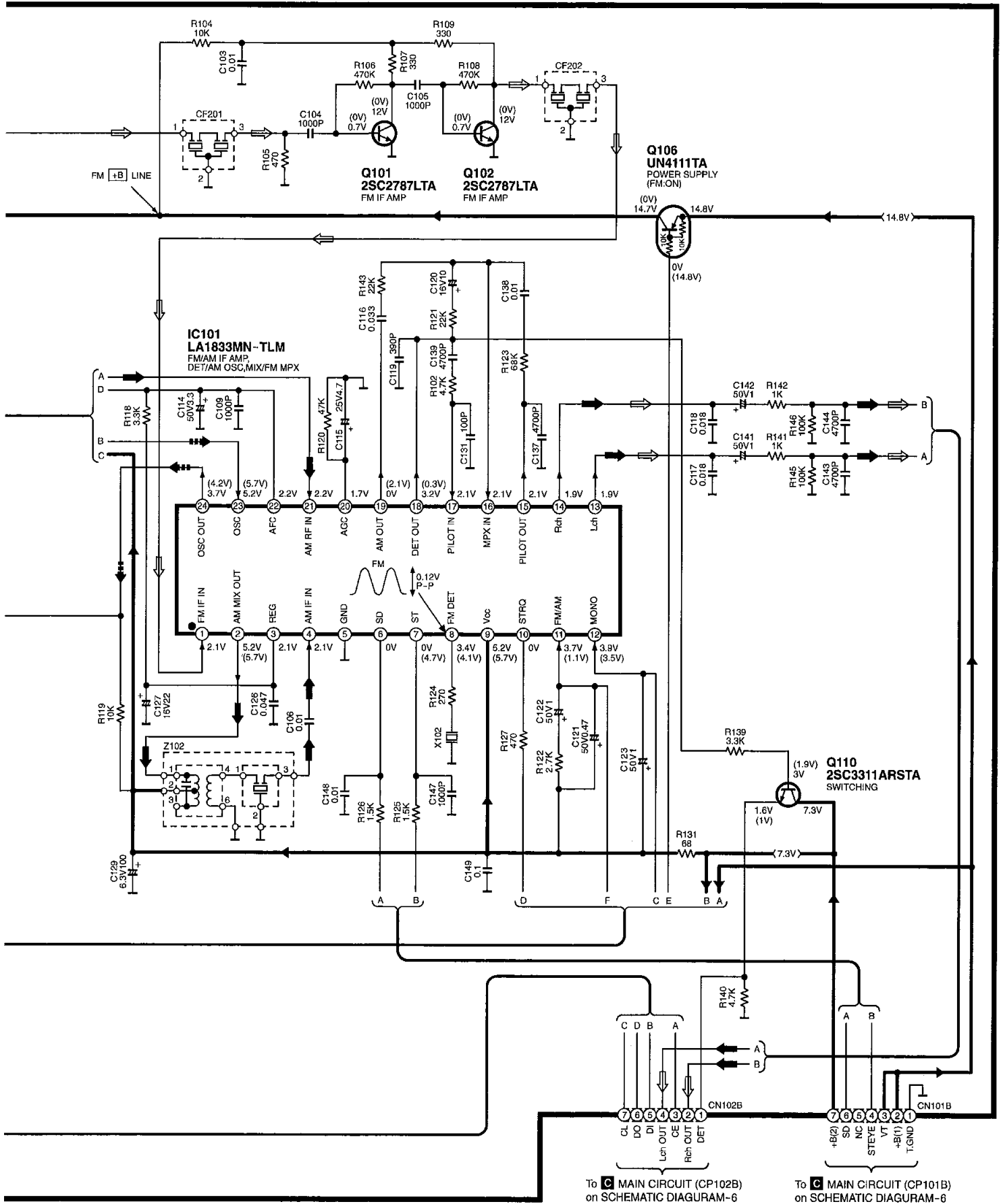
: FM SIGNAL LINE : AM SIGNAL LINE
 : POSITIVE VOLTAGE LINE : FM OSC SIGNAL LINE : AM OSC SIGNAL LINE

A TUNER CIRCUIT



SCHEMATIC DIAGRAM-2

→ : POSITIVE VOLTAGE LINE ⇨ : FM SIGNAL LINE → : AM SIGNAL LINE ⇨⇨ : AM OSC SIGNAL LINE

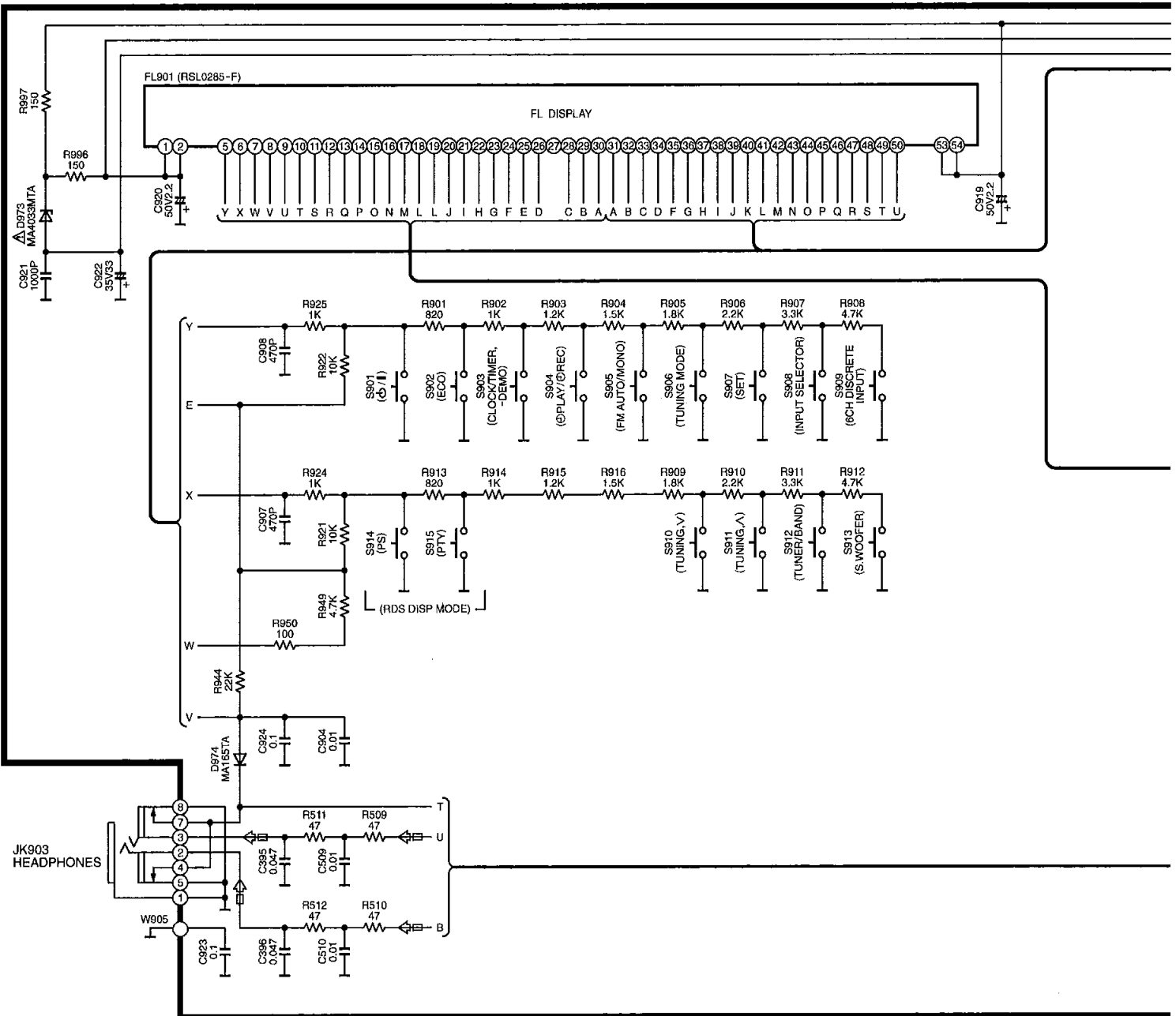


To **C** MAIN CIRCUIT (CP102B) on SCHEMATIC DIAGRAM-6 To **C** MAIN CIRCUIT (CP101B) on SCHEMATIC DIAGRAM-6

SCHEMATIC DIAGRAM-3

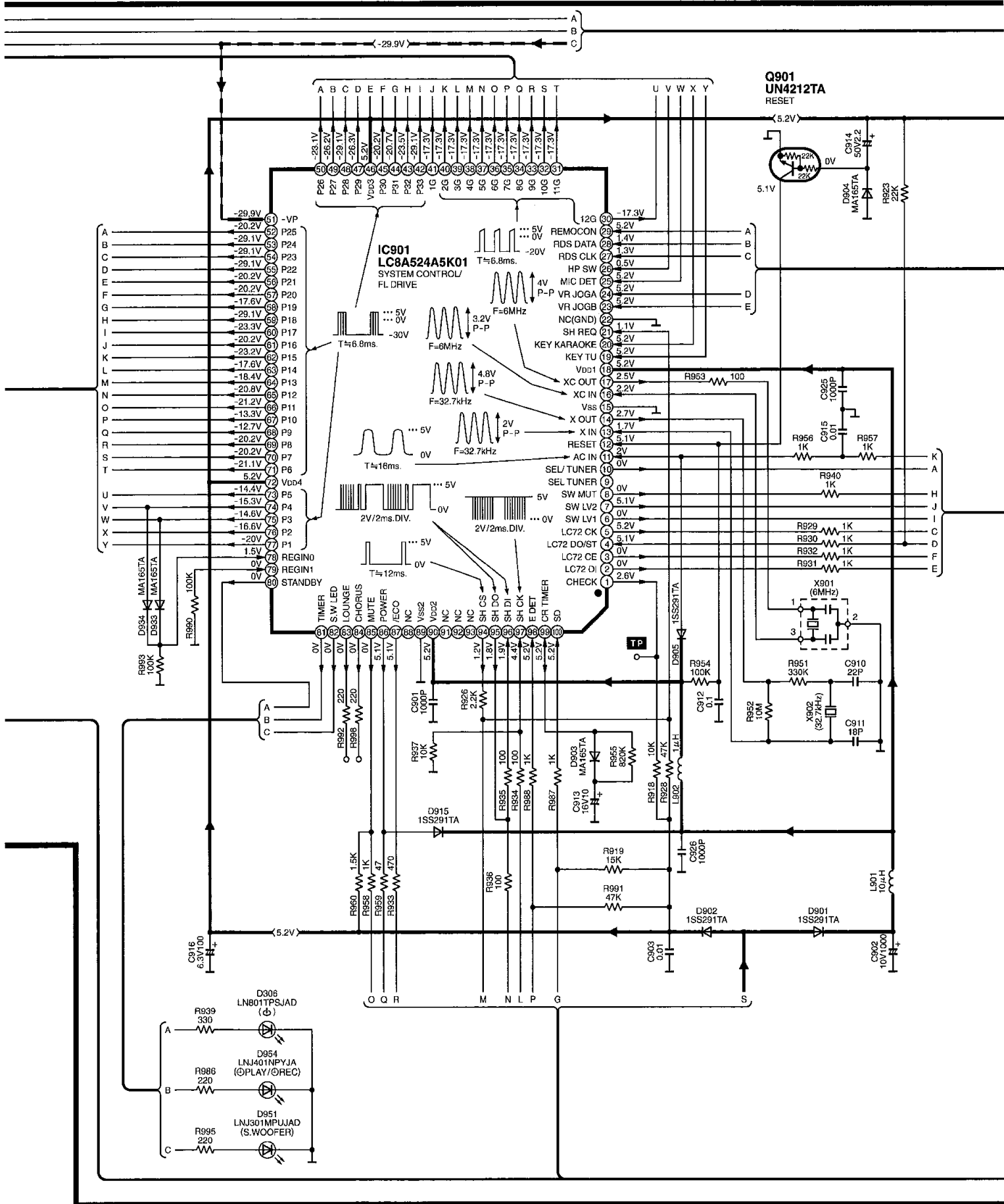
B OPERATION CIRCUIT

□▷ : SOURCE SIGNAL LINE



SCHEMATIC DIAGRAM-4

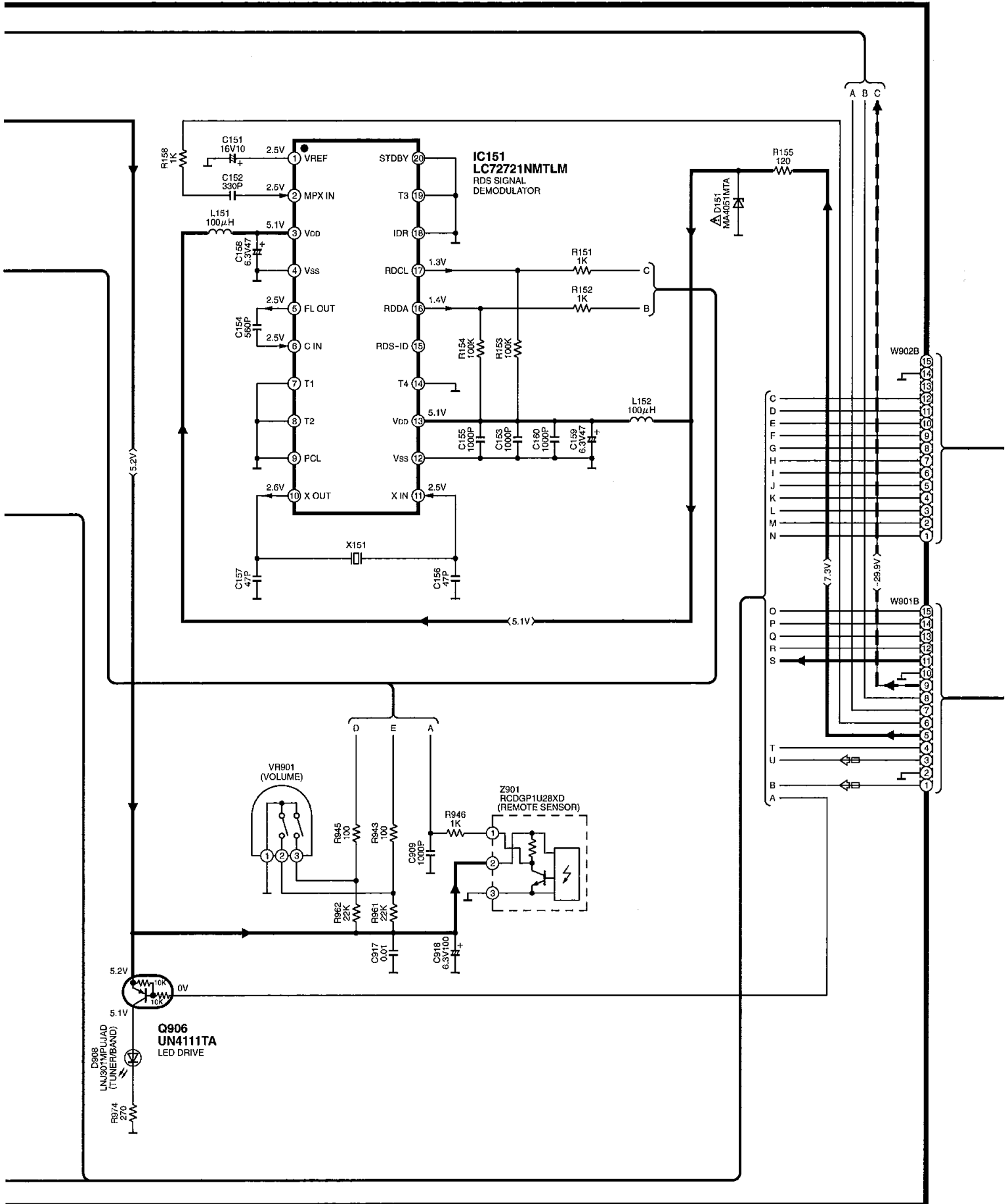
→ : POSITIVE VOLTAGE LINE
 - - - : NEGATIVE VOLTAGE LINE



SCHEMATIC DIAGRAM-5

B OPERATION CIRCUIT

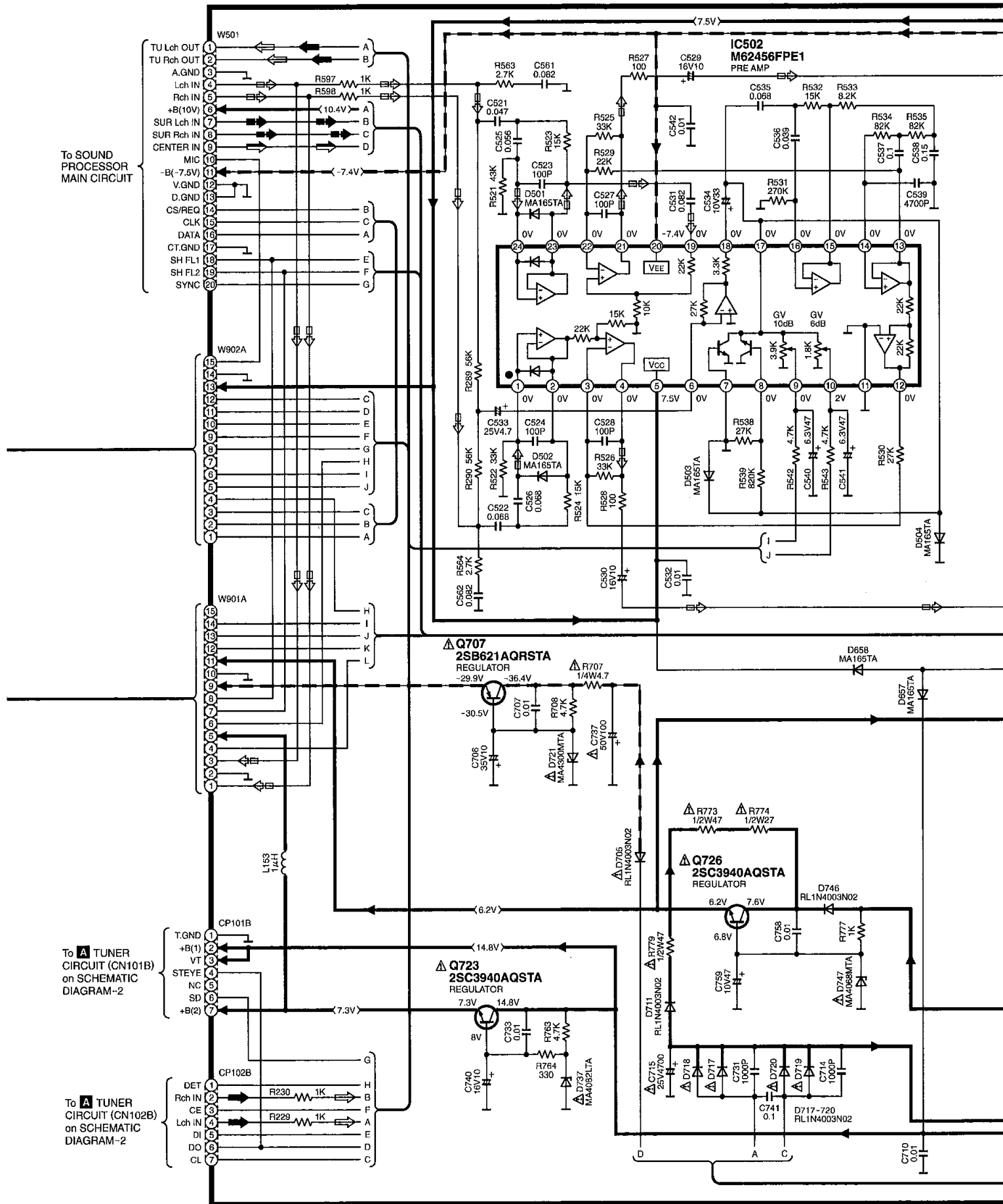
→ : POSITIVE VOLTAGE LINE
 - - - - - : NEGATIVE VOLTAGE LINE □▷ : SOURCE SIGNAL LINE



SCHEMATIC DIAGRAM-6

C MAIN CIRCUIT

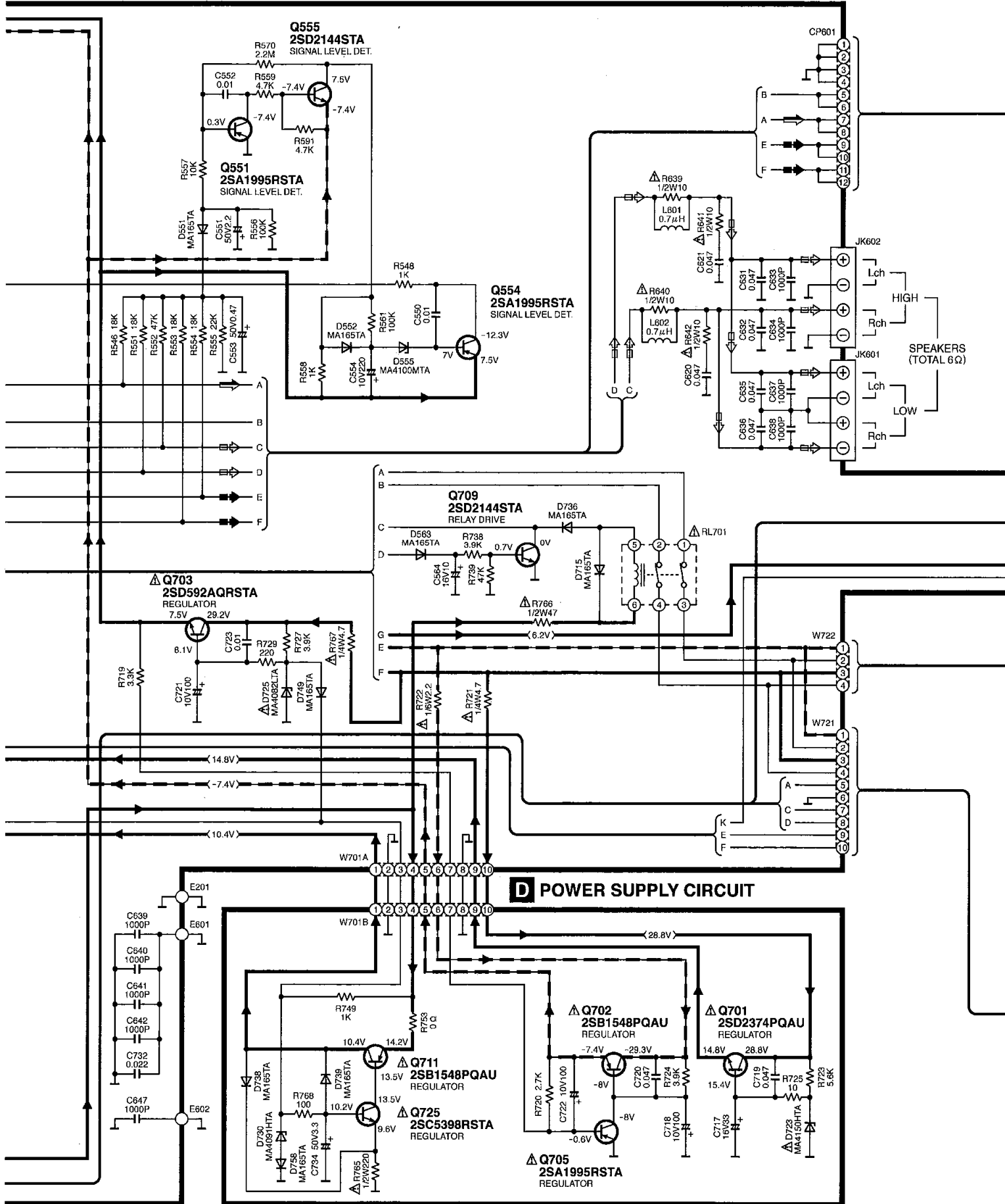
: POSITIVE VOLTAGE LINE
 : NEGATIVE VOLTAGE LINE
 : FM SIGNAL LINE
 : AM SIGNAL LINE
 : SURROUND SP.DRIVE SIGNAL LINE
 : CENTER SP.DRIVE SIGNAL LINE
 : SOURCE SIGNAL LINE



SCHEMATIC DIAGRAM-8

C MAIN CIRCUIT

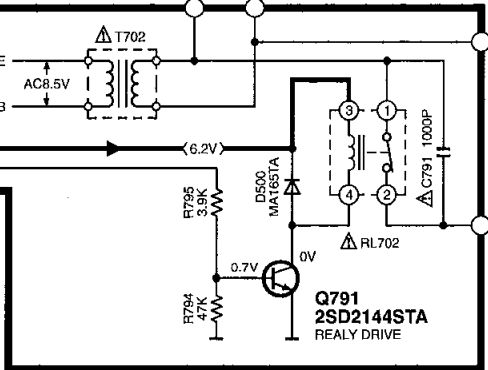
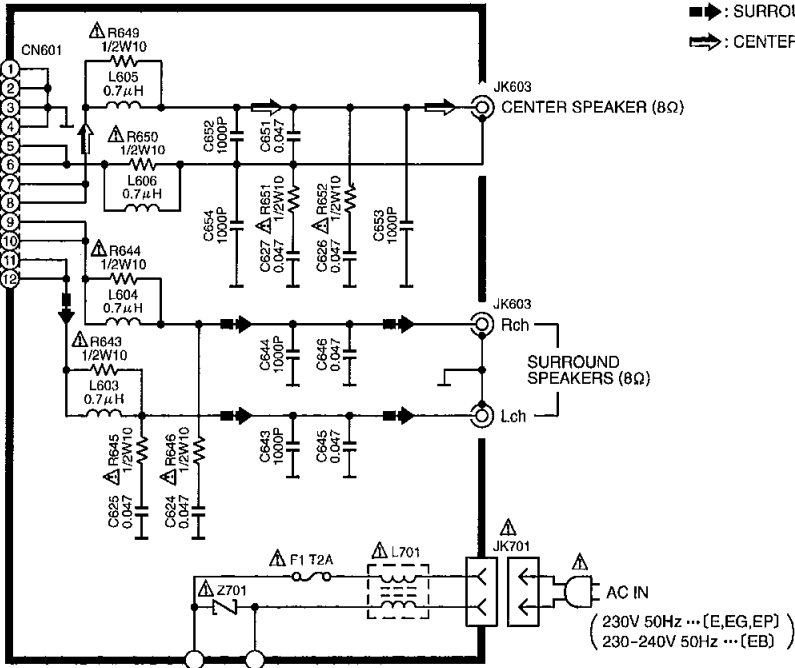
- ▶— : POSITIVE VOLTAGE LINE
- ◀— : NEGATIVE VOLTAGE LINE
- ▶ : SURROUND SP.DRIVE SIGNAL LINE
- ◀ : CENTER SP.DRIVE SIGNAL LINE
- ◻◻ : SOURCE SIGNAL LINE



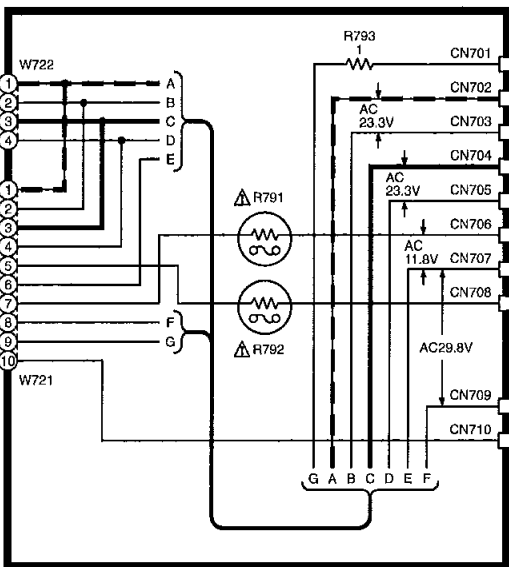
SCHEMATIC DIAGRAM-9

E SPEAKER TERMINAL CIRCUIT

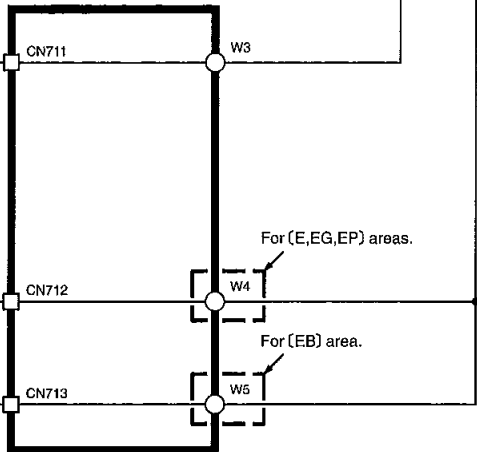
- ▶— : POSITIVE VOLTAGE LINE
- -▶- : NEGATIVE VOLTAGE LINE
- ▶ : SURROUND SP.DRIVE SIGNAL LINE
- ◻▶ : CENTER SP.DRIVE SIGNAL LINE



F POWER TRANSFORMER (A) CIRCUIT

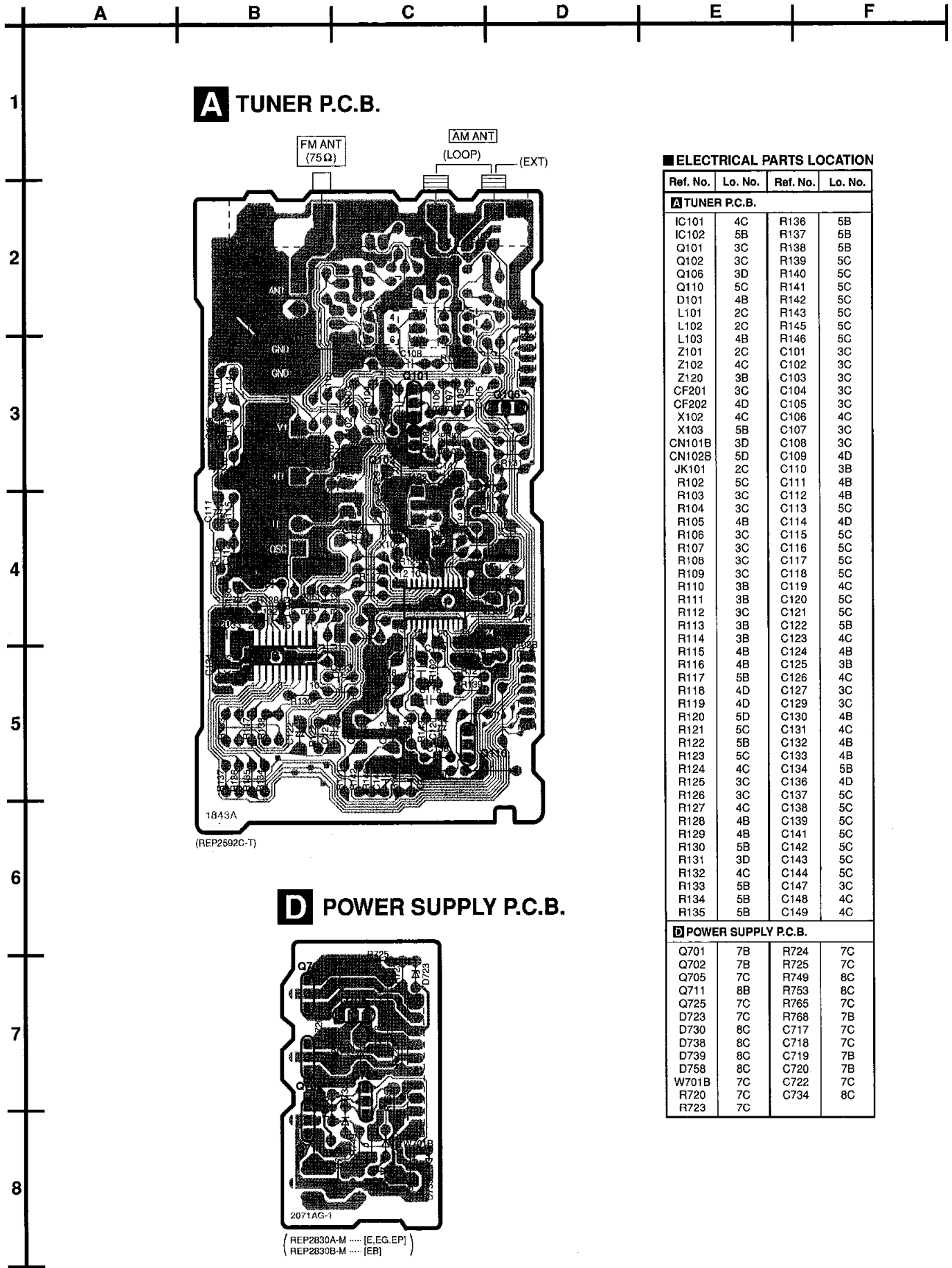


G POWER TRANSFORMER (B) CIRCUIT



Printed Circuit Board Diagram

• This circuit board diagram may be modified at any time with the development of new technology.



A TUNER P.C.B.

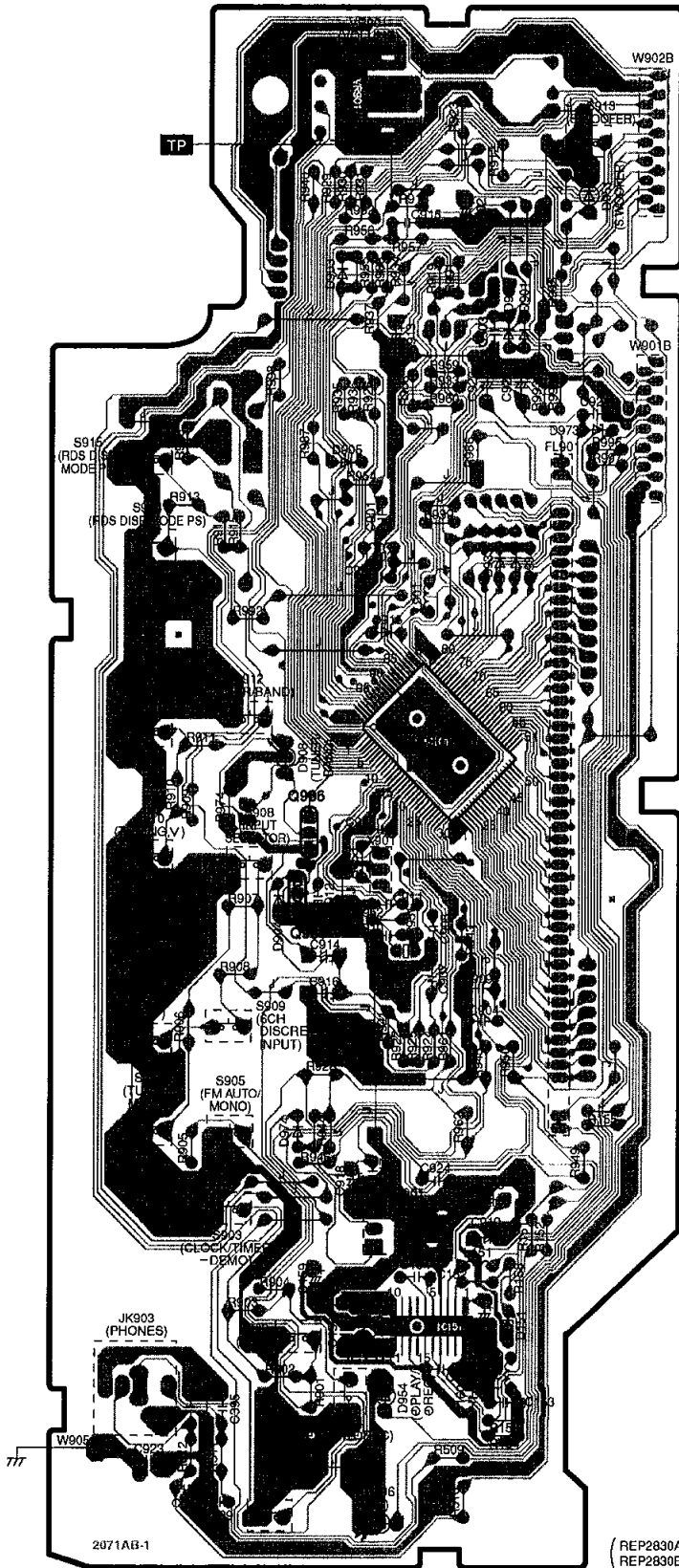
ELECTRICAL PARTS LOCATION

Ref. No.	Lo. No.	Ref. No.	Lo. No.
A TUNER P.C.B.			
IC101	4C	R136	5B
IC102	5B	R137	5B
Q101	3C	R138	5B
Q102	3C	R139	5C
Q106	3D	R140	5C
Q110	5C	R141	5C
D101	4B	R142	5C
L101	2C	R143	5C
L102	2C	R145	5C
L103	4B	R146	5C
Z101	2C	C101	3C
Z102	4C	C102	3C
Z120	3B	C103	3C
CF201	3C	C104	3C
CF202	4D	C105	3C
X102	4C	C106	4C
X103	5B	C107	3C
CN101B	3D	C108	3C
CN102B	5D	C109	4D
JK101	2C	C110	3B
R102	5C	C111	4B
R103	3C	C112	4B
R104	3C	C113	5C
R105	4B	C114	4D
R106	3C	C115	5C
R107	3C	C116	5C
R108	3C	C117	5C
R109	3C	C118	5C
R110	3B	C119	4C
R111	3B	C120	5C
R112	3C	C121	5C
R113	3B	C122	5B
R114	3B	C123	4C
R115	4B	C124	4B
R116	4B	C125	3B
R117	5B	C126	4C
R118	4D	C127	3C
R119	4D	C129	3C
R120	5D	C130	4B
R121	5C	C131	4C
R122	5B	C132	4B
R123	5C	C133	4B
R124	4C	C134	5B
R125	3C	C136	4D
R126	3C	C137	5C
R127	4C	C138	5C
R128	4B	C139	5C
R129	4B	C141	5C
R130	5B	C142	5C
R131	3D	C143	5C
R132	4C	C144	5C
R133	5B	C147	3C
R134	5B	C148	4C
R135	5B	C149	4C
D POWER SUPPLY P.C.B.			
Q701	7B	R724	7C
Q702	7B	R725	7C
Q705	7C	R749	8C
Q711	8B	R753	8C
Q725	7C	R765	7C
D723	7C	R768	7B
D730	8C	C717	7C
D736	8C	C718	7C
D739	8C	C719	7B
D758	8C	C720	7B
W701B	7C	C722	7C
R720	7C	C734	8C
R723	7C		

D POWER SUPPLY P.C.B.

A B C D E F

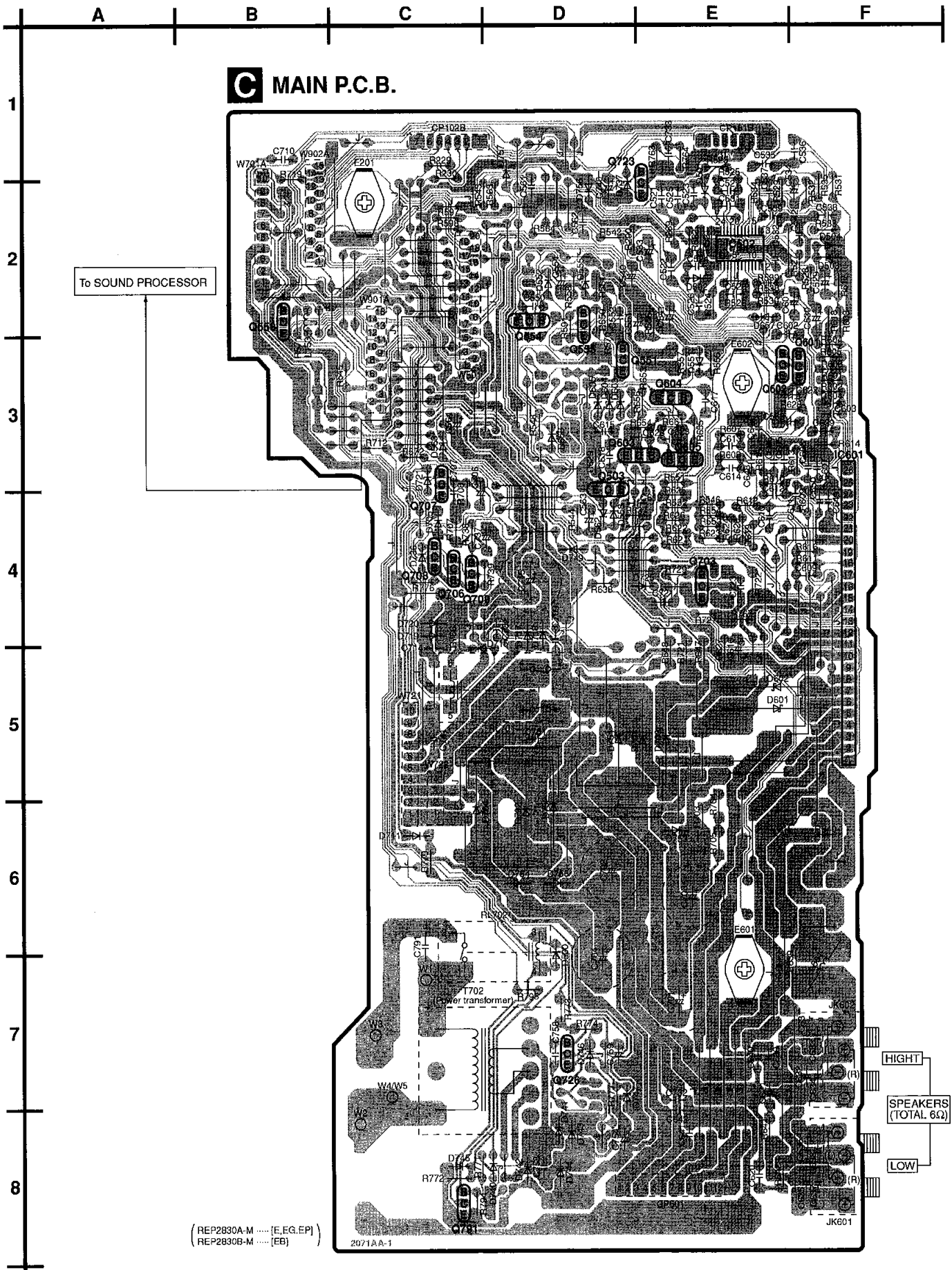
B OPERATION P.C.B.



ELECTRICAL PARTS LOCATION

Ref. No.	Lo. No.	Ref. No.	Lo. No.	Ref. No.	Lo. No.
OPERATION P.C.B.					
IC151	7C	R509	8C	R959	3C
IC901	5C	R510	8C	R960	3C
Q901	5B	R511	8B	R961	6C
Q906	5B	R512	8B	R962	6C
D151	7C	R901	8B	R974	5B
D306	8C	R902	8B	R986	3C
D901	3C	R903	7B	R987	3B
D902	3C	R904	7B	R988	2C
D903	2B	R905	6B	R990	3C
D904	5B	R906	6B	R991	2C
D905	3B	R907	5B	R992	4B
D908	5B	R908	6B	R993	3C
D915	4C	R909	5B	R995	2C
D933	4C	R910	5B	R996	3D
D934	4C	R911	5B	R997	3D
D951	2D	R912	2C	R998	3B
D954	8C	R913	3B	C151	7C
D973	3D	R914	4B	C152	7C
D974	6B	R915	4B	C153	8C
VR901	2C	R916	3B	C154	7C
L151	7C	R918	2C	C155	8C
L152	8C	R919	2C	C156	7B
L901	4C	R921	6C	C157	7B
L902	4C	R922	6C	C158	7C
Z901	7C	R923	2C	C159	7B
X151	7C	R924	6C	C160	8C
X901	5C	R925	6C	C395	8B
X902	6C	R926	3C	C396	8B
FL901	3C	R928	6B	C509	8B
S901	8B	R929	2B	C510	8B
S902	7B	R930	2B	C901	4C
S903	7B	R931	2C	C902	2C
S904	8B	R932	2B	C903	3C
S905	6B	R933	3C	C904	6C
S906	6B	R934	2C	C907	6C
S907	6B	R935	3B	C908	5C
S908	5B	R936	3B	C909	6C
S909	6B	R937	3C	C910	5C
S910	5B	R939	4C	C911	5C
S911	5B	R940	2B	C912	5B
S912	4B	R943	5C	C913	3C
S913	2D	R944	6B	C914	6B
S914	4B	R945	6C	C915	2C
S915	3A	R946	7B	C916	6B
W901B	3D	R949	7D	C917	7C
W902B	2D	R950	6C	C918	7B
W905	8A	R951	5C	C919	7C
JK903	8A	R952	5C	C920	3C
R151	7C	R953	5C	C921	3D
R152	7C	R954	3B	C922	3C
R153	8C	R955	2B	C923	8B
R154	8C	R956	2B	C924	7C
R155	6D	R957	2C	C925	5C
R158	7C	R958	3C	C926	4C

(REP2830A-M [E,G,EP])
 (REP2830B-M [EB])



C MAIN P.C.B.

To SOUND PROCESSOR

(REP2830A-M [E, EG, EP])
(REP2830B-M [EB])

2071A.A-1

HIGHT
SPEAKERS
(TOTAL 6Ω)
LOW

G

H

I

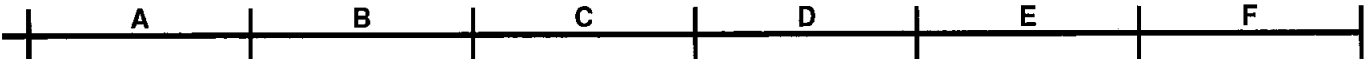
J

K

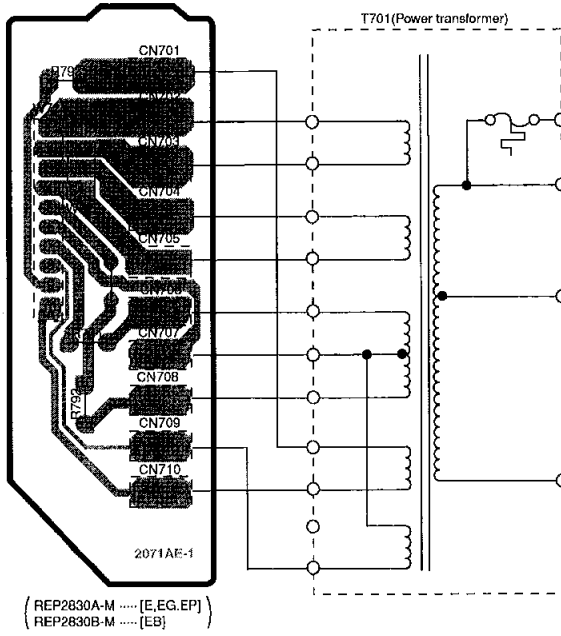
L

■ ELECTRICAL PARTS LOCATION

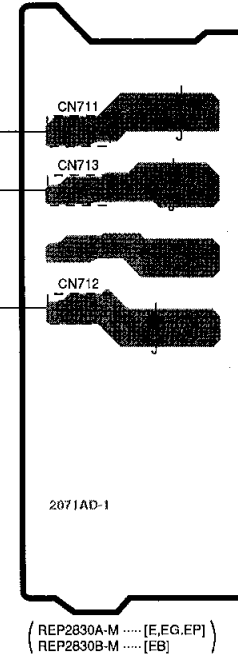
Ref. No.	Lo. No.	Ref. No.	Lo. No.	Ref. No.	Lo. No.	Ref. No.	Lo. No.	Ref. No.	Lo. No.	Ref. No.	Lo. No.
■ MAIN P.C.B.											
IC502	2E	D736	4C	R526	2E	R616	4F	R794	8C	C619	4D
IC601	4F	D737	2D	R527	2F	R617	2F	R795	7D	C620	8E
Q503	3D	D740	8D	R528	2F	R618	2F	C521	2E	C621	7E
Q551	3D	D741	8D	R529	2E	R619	4E	C522	2E	C622	3E
Q554	2D	D742	8D	R530	2E	R620	4E	C523	2E	C623	3E
Q555	2D	D743	8D	R531	2F	R621	4E	C524	2E	C628	3E
Q558	2B	D744	8D	R532	2F	R622	4E	C525	2E	C629	3F
Q601	3F	D745	8C	R533	2F	R623	4E	C526	2E	C631	7F
Q602	3E	D746	7D	R534	2E	R624	4E	C527	2E	C632	7F
Q603	3E	D747	7D	R535	2F	R625	4E	C528	2E	C633	7F
Q604	3E	D749	4D	R538	2E	R626	4E	C529	2F	C634	7F
Q605	3E	D751	5D	R539	2E	R627	5E	C530	2F	C635	8F
Q703	4E	D752	6D	R542	2D	R628	3E	C531	2E	C636	8F
Q706	4C	D753	6E	R543	2C	R629	3D	C532	2E	C637	8F
Q707	3C	D754	6D	R544	4D	R637	4D	C533	2E	C638	8F
Q708	4C	D755	6D	R545	3C	R638	4D	C534	2F	C639	7E
Q709	4C	D756	2D	R546	4E	R639	7F	C535	1E	C640	7E
Q723	2E	D757	1D	R548	3D	R640	6F	C536	1F	C641	8E
Q726	7D	L153	2B	R551	3E	R641	8E	C537	2E	C642	8E
Q791	8C	L601	7F	R552	4E	R642	8E	C538	2F	C647	3E
D500	7D	L602	6E	R553	4E	R647	5E	C539	2E	C648	3E
D501	2E	T702	7C	R554	4E	R648	5E	C540	2D	C649	4F
D502	2E	RL701	5D	R555	3E	R653	3E	C541	2E	C650	4F
D503	2F	RL702	6D	R556	2E	R654	3E	C542	2F	C701	7E
D504	2F	W3	7C	R557	3E	R655	3E	C550	2D	C702	6D
D551	3E	CP101B	1E	R558	2D	R656	3D	C551	2D	C703	6E
D552	2D	CP102B	1C	R559	2D	R661	3E	C552	2D	C704	7D
D555	2D	CP601	8E	R561	2D	R703	6E	C553	3E	C706	4C
D558	4D	W1	7C	R563	2D	R704	6E	C554	2D	C707	4C
D562	4D	W2	8C	R564	2D	R705	6E	C561	2D	C709	4D
D563	3C	W4/W5	7C	R570	2D	R707	4C	C562	2D	C710	1B
D601	5E	W501	2C	R571	2B	R708	4C	C563	4D	C714	5C
D602	5E	W701A	2B	R572	3C	R712	3C	C564	3C	C715	4D
D603	3D	W721	5C	R591	2D	R719	1B	C601	2F	C721	4E
D604	3D	W722	5C	R597	2C	R721	5E	C602	2E	C723	4E
D605	3D	W901A	3C	R598	2C	R722	4E	C603	3F	C731	4D
D657	2E	W902A	2B	R601	3F	R727	4E	C604	3F	C732	7E
D658	3D	JK601	8F	R602	3F	R729	4E	C605	3E	C733	1E
D701	5E	JK602	7F	R603	2F	R738	4C	C606	3E	C737	4D
D702	6D	E201	2C	R604	3F	R739	4C	C607	3F	C740	2D
D703	5E	E601	7E	R605	3F	R763	1E	C608	3F	C741	5C
D704	6C	E602	3E	R606	3F	R764	1E	C609	4F	C753	8D
D705	4C	R229	1C	R607	3E	R766	4C	C610	4E	C754	8D
D711	6C	R230	1C	R608	3E	R767	4E	C611	4F	C758	7D
D715	5C	R289	2E	R609	4F	R771	8C	C612	4E	C759	7D
D717	4D	R290	2D	R610	3E	R772	8C	C613	3E	C761	5D
D718	4D	R521	2E	R611	4F	R773	7D	C614	3E	C791	6C
D719	4C	R522	2E	R612	4E	R774	7D	C615	3D		
D720	4C	R523	1E	R613	3F	R776	4C	C616	5E		
D721	3C	R524	2E	R614	3F	R777	7D	C617	3E		
D725	4E	R525	1E	R615	3E	R779	6C	C618	3D		



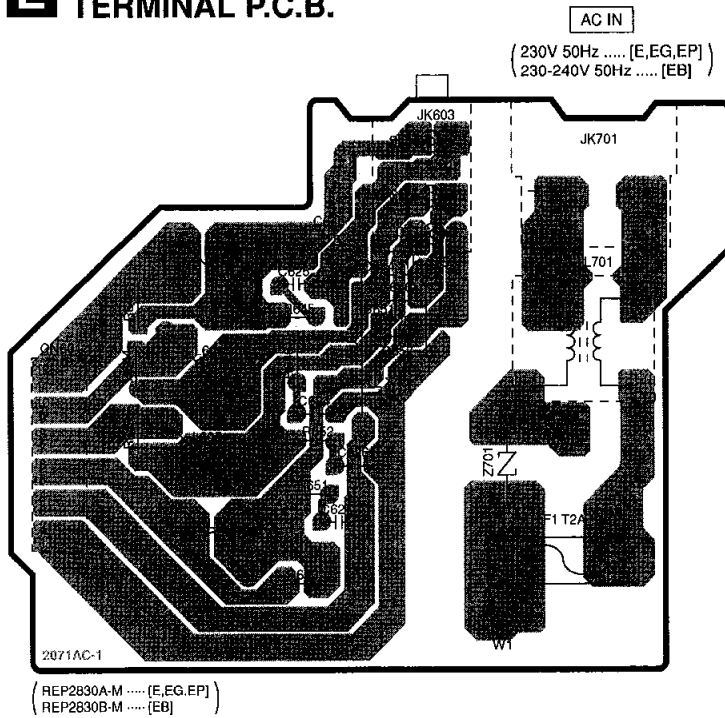
F POWER TRANSFORMER (A) P.C.B.



G POWER TRANSFORMER (B) P.C.B.



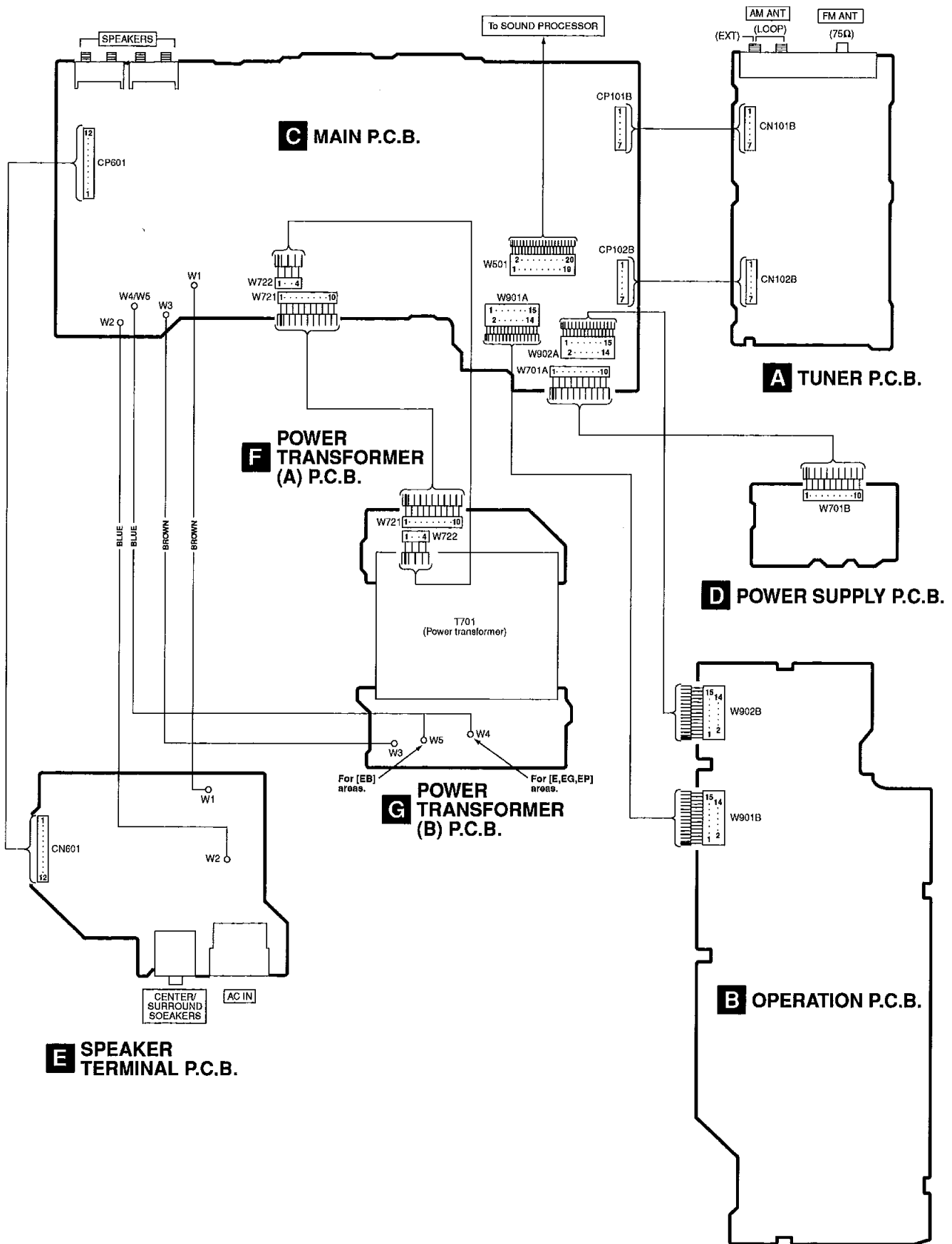
E SPEAKER TERMINAL P.C.B.



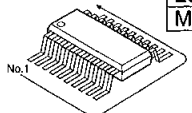
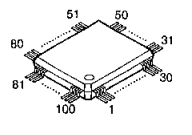
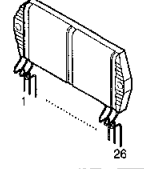
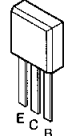
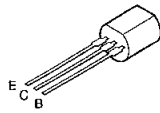
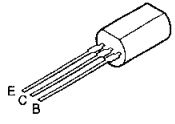
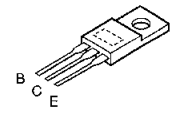
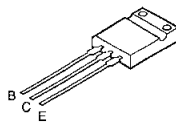
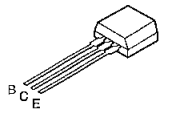
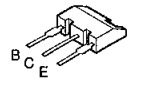
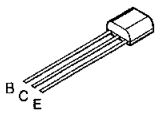
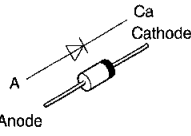
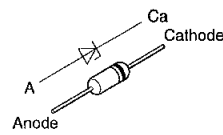
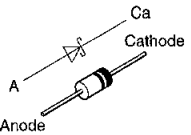
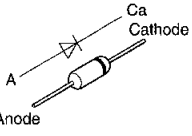
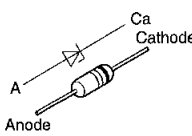
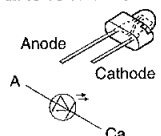
ELECTRICAL PARTS LOCATION

Ref. No.	Lo. No.	Ref. No.	Lo. No.
SPEAKER TERMINAL P.C.B.			
L603	6B	R646	7B
L604	7B	R649	7A
L605	7B	R650	8B
L606	7B	R651	7B
L701	6C	R652	7B
Z701	7C	C624	7B
CN601	7A	C625	6B
W1	8C	C626	7B
W2	7C	C627	7B
JK603	6C	C643	6B
F1	7C	C644	6C
JK701	6D	C645	6B
FC1	7D	C646	6C
FC2	7C	C651	6C
R643	6A	C652	6C
R644	7A	C653	6C
R645	6B	C654	7C
POWER TRANSFORMER(A) P.C.B.			
CN701	2B	CN709	3B
CN702	2B	CN710	4B
CN703	2B	W721	2B
CN704	2B	W722	2B
CN705	3B	R791	3B
CN706	3B	R792	3B
CN707	3B	R793	2B
CN708	3B		
POWER TRANSFORMER(B) P.C.B.			
CN711	2E	W3	2E
CN712	3E	W4	3E
CN713	2E	W5	2E

■ Wiring Connection Diagram



■ Type Illustration of IC's, Transistors and Diodes

 <table border="1" data-bbox="311 190 566 291"> <tr> <td>LA1833MN-TLM</td> <td>24PIN</td> </tr> <tr> <td>LC72131MDTLM</td> <td>20PIN</td> </tr> <tr> <td>LC72721NMTLM</td> <td>20PIN</td> </tr> <tr> <td>M62456FPE1</td> <td>24PIN</td> </tr> </table>	LA1833MN-TLM	24PIN	LC72131MDTLM	20PIN	LC72721NMTLM	20PIN	M62456FPE1	24PIN	<p>LC8A524A5K01</p> 	<p>RSN311W64</p> 	 <p>2SC2787LTA 2SC3311ARSTA UN4111TA UN4211TA UN4212TA</p>		
LA1833MN-TLM	24PIN												
LC72131MDTLM	20PIN												
LC72721NMTLM	20PIN												
M62456FPE1	24PIN												
<p>2SB621AQRSTA 2SD592AQRSTA</p> 	<p>2SC3940AQSTA</p> 	<p>2SB1548PQAU 2SD2374PQAU</p> 	<p>2SB1417PQTA</p> 	<p>2SD2144STA</p> 	<p>2SD1859QRTV2</p> 								
<p>2SA1995RSTA 2SC5398RSTA</p> 	<p>1N5402BF RL1N4003N02</p> 	 <p>MA4091HTA MA4100MTA MA4140MTA MA4150HTA MA4180LTA MA4300MTA</p>		<p>SB360L6508</p> 	<p>MA165TA MA700TA 1SS291TA</p> 								
 <p>MA4033MTA MA4051MTA MA4068MTA MA4082LTA</p>		<p>LNJ301MPUJAD LNJ801TPSJAD LNJ401NPYJA</p> 											

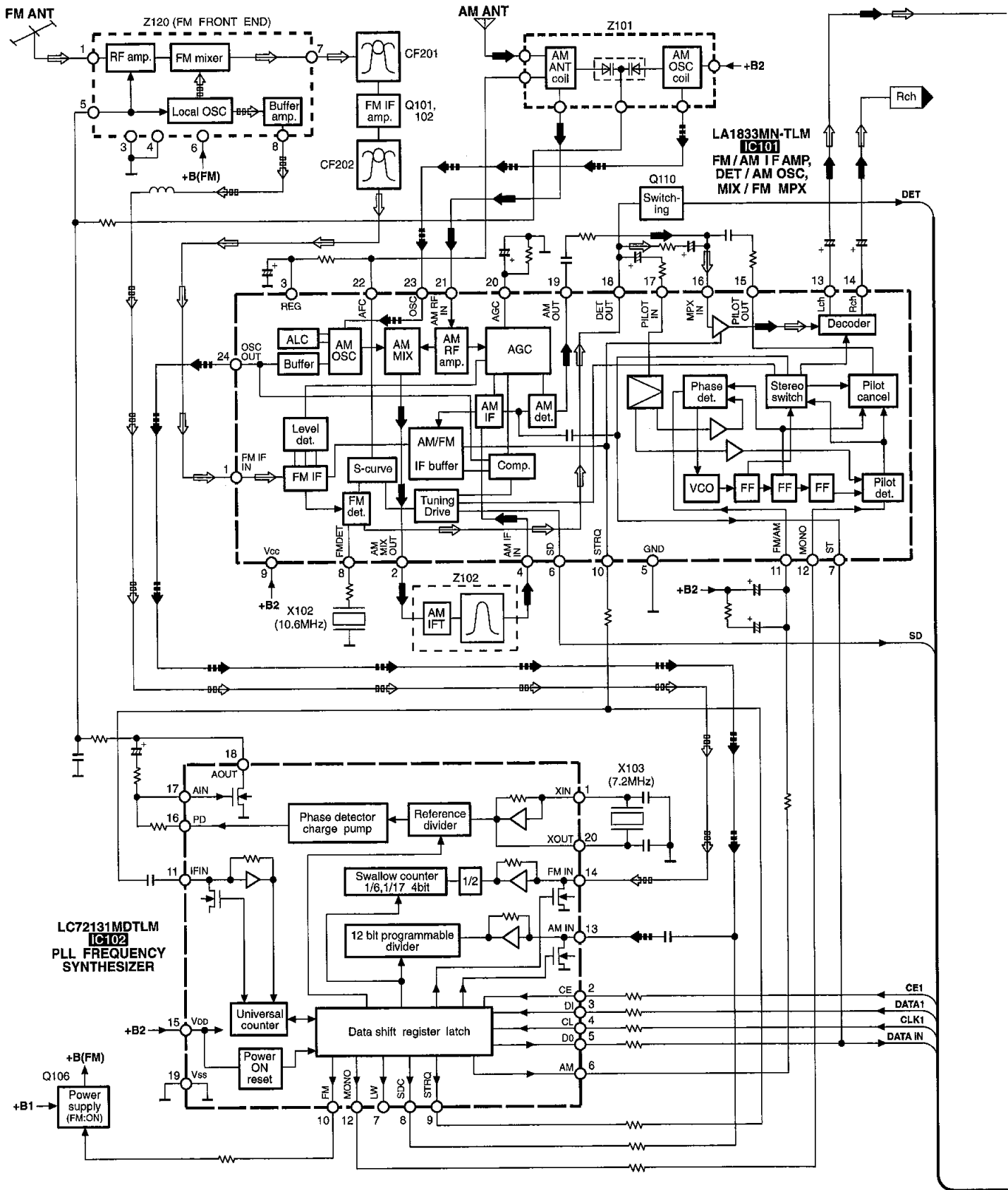
Terminal Function of IC's

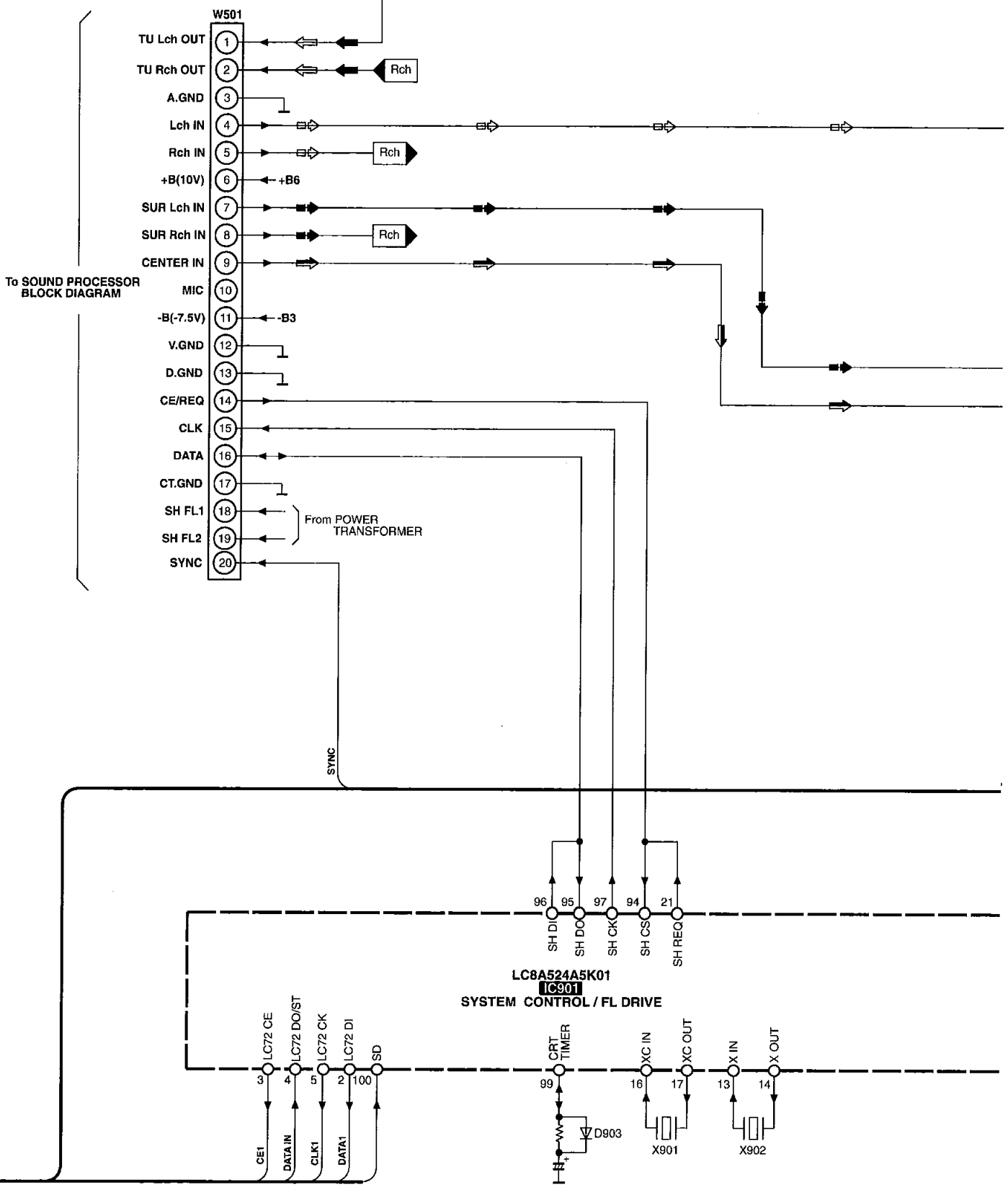
● IC901 (LC8A524A5K01) : System Control/ FL Drive

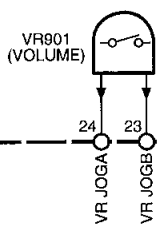
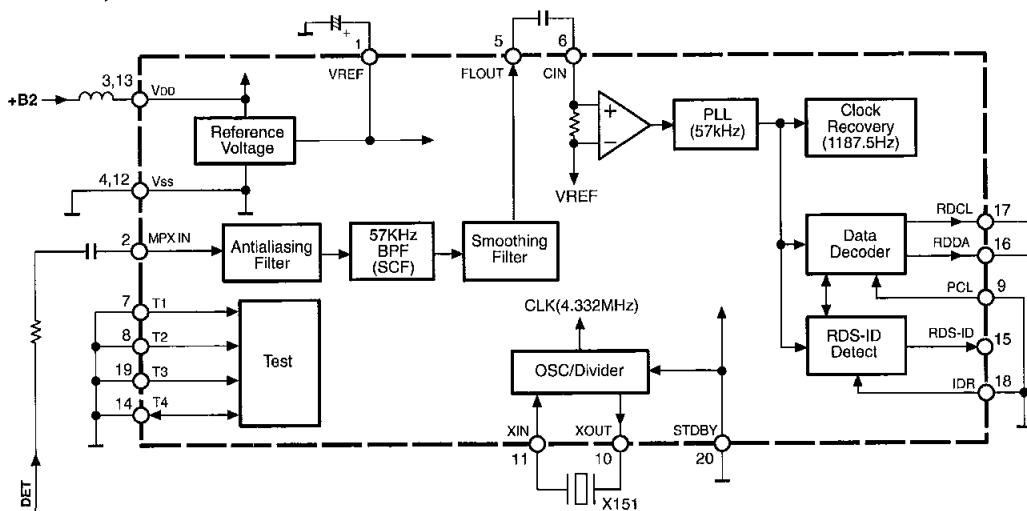
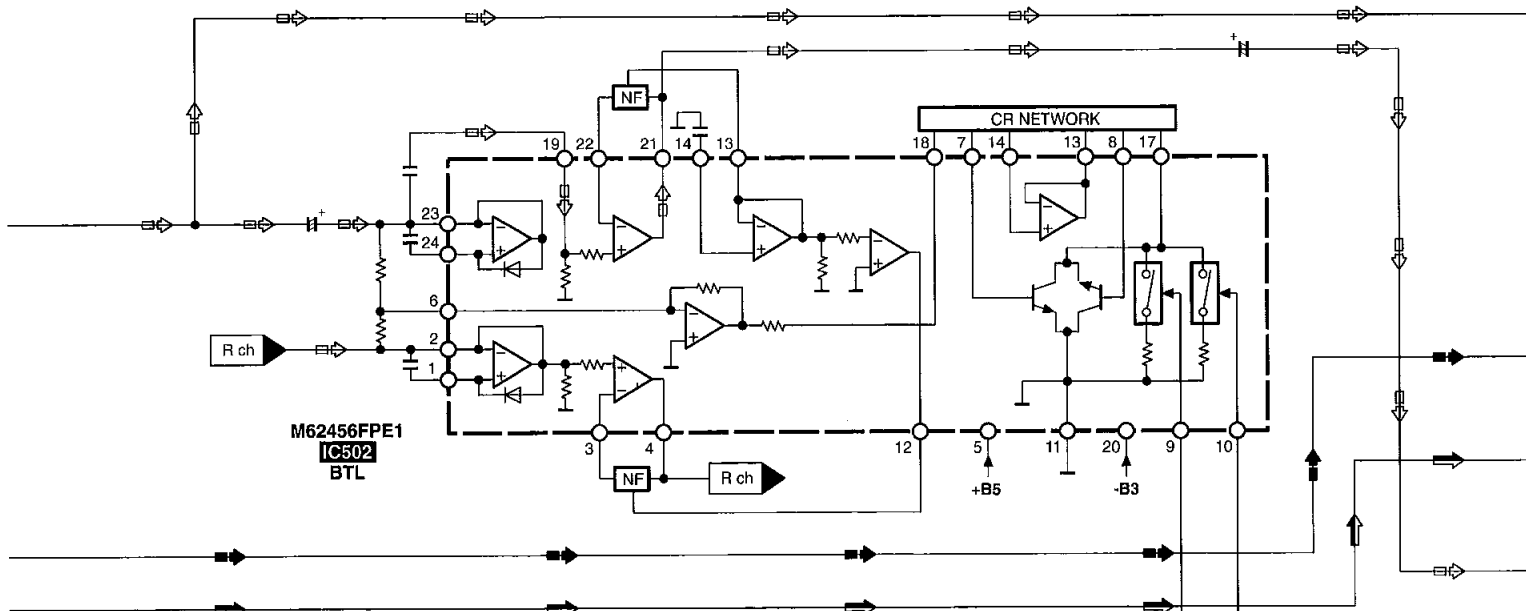
Pin No.	Terminal Name	I/O	Function
1	CHECK	O	Clock check signal output
2	LC72 DI	O	PLL data signal output for IC102
3	LC72 CE	O	Chip enable signal output for IC102
4	LC72 DO/ ST	I	IF count data/stereo detect signal input for IC102
5	LC72 CK	O	Clock signal output for IC102
6	SW LV1	O	LEVEL 1 signal output for IC502
7	SW LV2	O	LEVEL 2 signal output for IC502
8	SW MUT	O	Muting signal output for IC502
9	SEL TUNER	-	Tuner select signal output (Not used, open)
10	SEL/ TUNER	O	Tuner select signal output ("L" = Tuner)
11	AC IN	I	Power failure detect signal input
12	RESET	I	Reset signal input
13	X IN	I	Oscillator connected terminal (32.7 kHz)
14	X OUT	O	
15	V _{ss}	-	GND terminal
16	XC IN	I	Oscillator connected terminal (6 MHz)
17	XC OUT	O	
18	V _{DD1}	I	Power supply terminal
19	KEY TU	I	Operation key signal input (TUNER, TIMER, AMP.section)
20	KEY KARAOKE	I	Operation key signal input (KARAOKE section)
21	SH REQ	I	Request signal input for sound processor
22	NC(GND)	-	Not used, connected to GND
23	VR JOGB	I	Volume control signal input
24	VR JOGA		
25	MIC DET	I	Microphone connecting detect signal input
26	HP SW	I	Headphones connecting detect signal input
27	RDS CLK	I	RDS clock signal input
28	RDS DATA	I	RDS data signal input
29	REMOCON	I	Remote control signal input

Pin No.	Terminal Name	I/O	Function
30~41	12G~1G	O	Grid signal output
42~45	P33~P30	O	Segment signal output
46	V _{DD3}	I	Power supply terminal
47~50	P29~P26	O	Segment signal output
51	-VP	I	Power supply terminal (negative)
52~71	P25~P6	O	Segment signal output
72	V _{DD4}	I	Power supply terminal
73~77	P5~P1	O	Segment signal output
78	REGIN0	I	Area select signal input
79	REGIN1	I	Area select signal input
80	STANDBY	O	LED (STAND BY) drive signal output
81	TIMER	O	LED (TIMER) drive signal output
82	S.W LED	O	LED (S.WOOFER) drive signal output
83	LOUNGE	O	LED (LOUNGE) drive signal output
84	CHORUS	O	LED (CHORUS) drive signal output
85	MUTE	O	Muting signal output
86	POWER	O	Power control signal output
87	/ECO	O	ECO signal output
88	NC	-	Not used, open
89	V _{ss2}	-	GND terminal
90	V _{DD2}	I	Power supply terminal
91~93	NC	-	Not used, open
94	SH CS	O	Chip select signal output to Sound processor
95	SH DO	O	Serial communication signal to Sound processor (Data signal output)
96	SH DI	I	Serial communication signal to Sound processor (Data signal input)
97	SH CK	I	Serial communication signal to Sound processor (Clock signal input)
98	E DET	I	Unusual condition detect terminal ("L": Unusual)
99	CR TIMER	I/O	TIME CONSTANT terminal
100	SD	I	Station detector signal input for tuner circuit

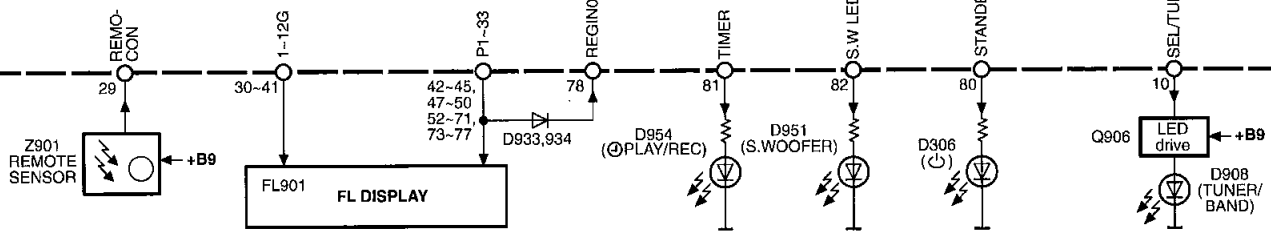
Block Diagram

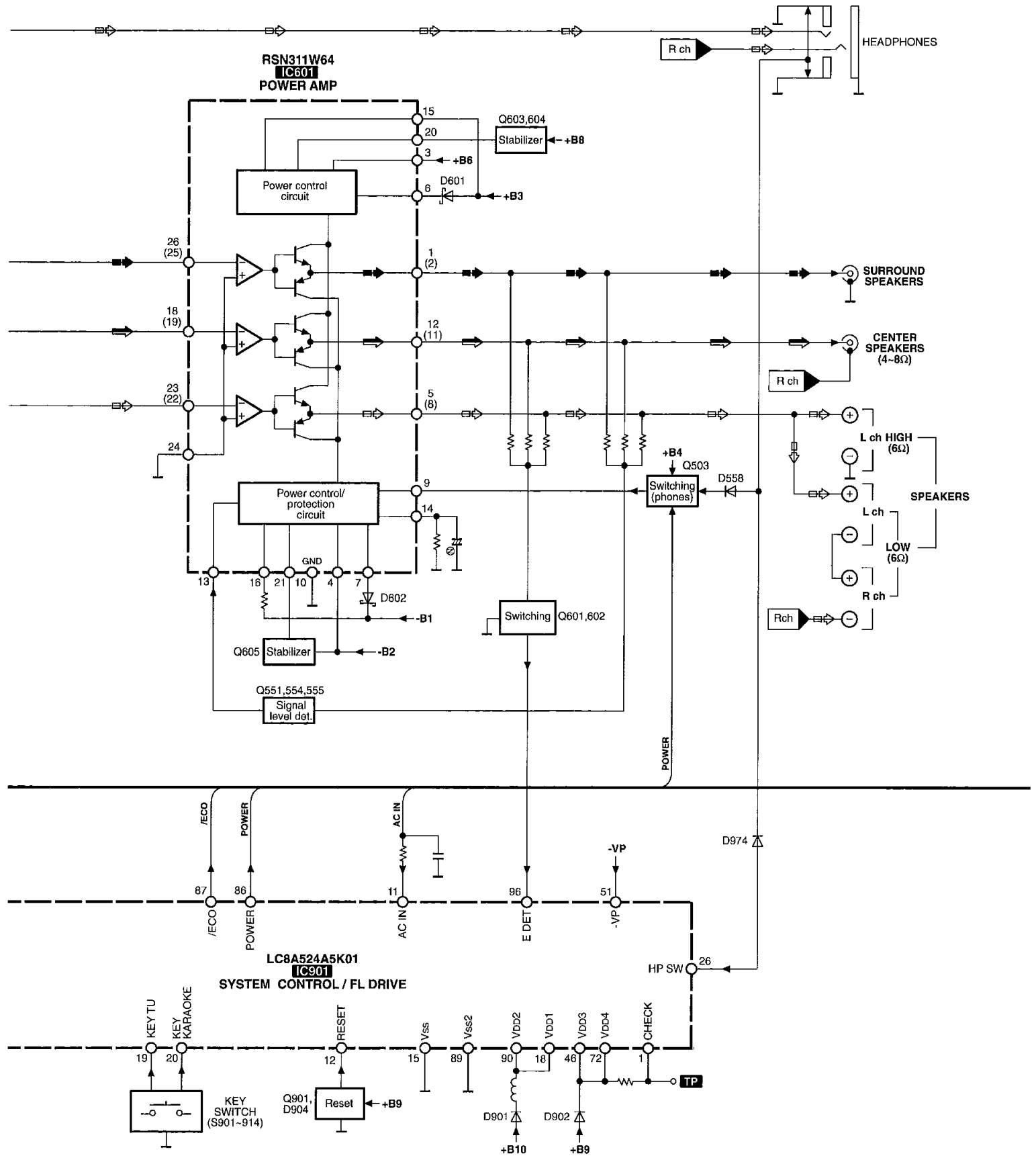






LC8A524A5K01
IC901
SYSTEM CONTROL / FL DRIVE





Notes
 • Signal line ⇨ : FM signal ⇨ : AM signal ⇨ : FM OSC signal ⇨ : AM OSC signal
 ⇨ : Source signal ⇨ : Center SP. signal ⇨ : Surround SP. signal
 • () indicates pin No. Right channel.

